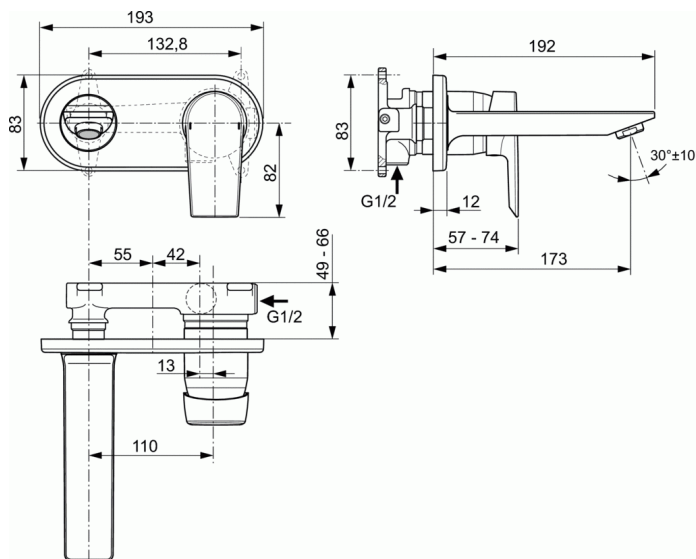
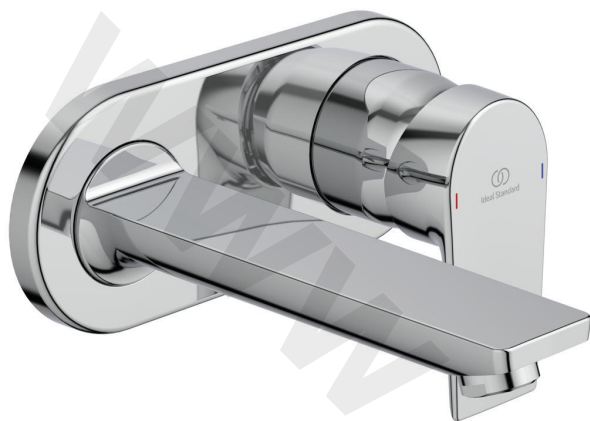


TESI

Built-in basin mixer



Built-in basin mixer

- Kit 2 version (visible parts)
- 47 mm IS Cartridge
- Temperature limiter - integrated in the cartridge
- Metal escutcheon
- Metal handle with red and blue colour indication - printed on handle
- Cast spout 172 mm
- Cascade aerator with 5 l/min flow rate limiter
- To be used only in combination with: A5948NU Kit 1 (internal part)
- Comply with EN817

Necessary equipment
Built-in unit, Kit 1 (A5948NU)

FINISHES*



AA

* AA = Chrome

KEY FEATURES & BENEFITS

